



JAV12 :

Fingertip Joystick

JAV12 Fingertip Joystick

- Single axis finger-touch micro-switch
- Working voltage : DC5V~16V
- Electrical angle : $30^{\circ} \pm 2^{\circ}$
- Total resistance : $3 \pm 20\% K\Omega$
- Linearity : $\leq \pm 2\%$
- Working temperature : $-40 \sim +120^{\circ}C$
- Protection class : IP65
- Lifetime : $\geq 5,000,000$ times
- Weight: approximate 37g
- Electromagnetic interference shielding, high reliability
- Switch output allowed
- Standard connector design, easy to connect and install
- Small and exquisite size, simple operation, artistic appearance
- Fiber reinforced nylon plastic, high strength, can be used in harsh conditions

Performance Data

Electrical Data

Rated voltage	DC5× (1±0.1 %)	V
Maximum supply voltage DC16	V	
Total resistance	3	KΩ
Resistance tolerance	20	%
Temperature coefficient	≤ 400	PPM/°C
Effective angle	30 ± 1	°
Linearity	± 2	%
Output smoothness	≤ 0.5	%
Repeatability	≤ 0.1	%
Wiper Working Current	≤ 1	uA
Maximum Wiper Working Current	10mA	mA
Insulating Resistance	$\geq 10(500V)$	MΩ

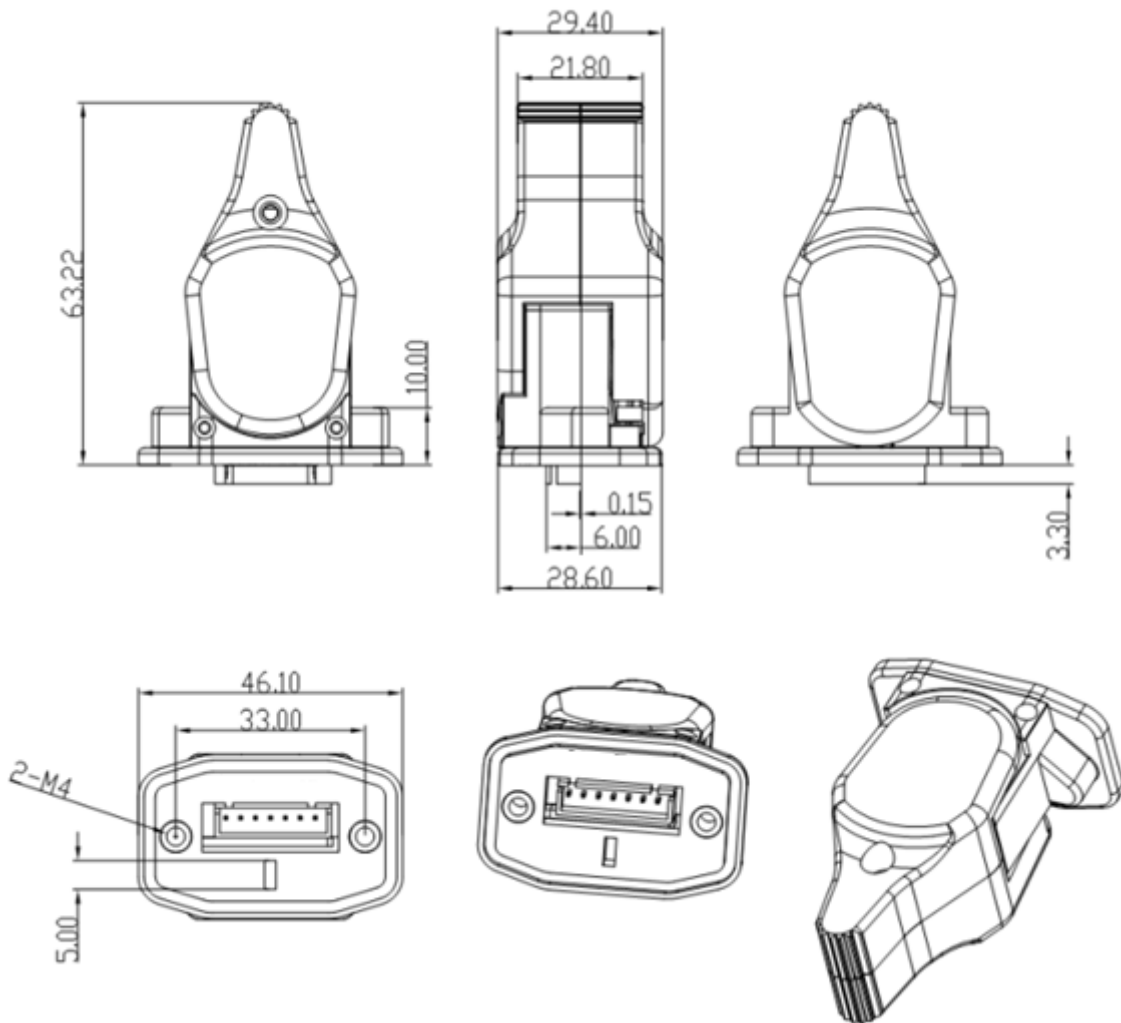
Working Environmental Data

Lifetime	$\geq 5,000,000$	times
Working temperature	$-40 \sim +120$	°C
Vibration	f : $5 \sim 2000Hz$, a : $200m/s^2$, T:15min, Vibration duration: 20h for X, Y, Z direction each	
Protection class	IP65	

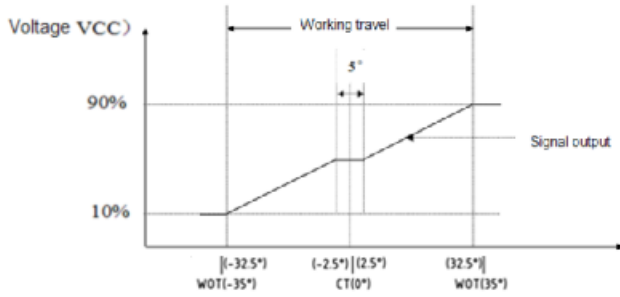




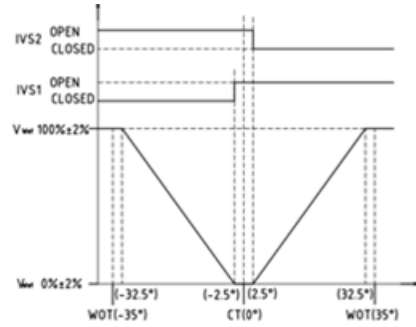
Mechanical Dimensions



Output Signal Characteristics Curve



10..50..90% Connection



100..0..100% Connection

Connection Pin-Out (Signal Type: 10..50..90% of VB+)

	Pin	
	A	Common terminal for switches
	B	N/O switch, lever forward
	C	N/O switch, lever backward
	D	Negative or zero voltage supply (VB-)
	E	Output voltage signal
	F	Positive power supply (VB+)
	G	Center Tap

Connection Pin-Out (Signal Type: 100..0..100% of VB+)

	Pin	
	A	Common terminal for switches
	B	N/O switch, lever forward
	C	N/O switch, lever backward
	D	Positive power supply (VB+)
	E	Output voltage signal
	F	Positive power supply (VB+)
	G	Negative or zero voltage supply (VB-)